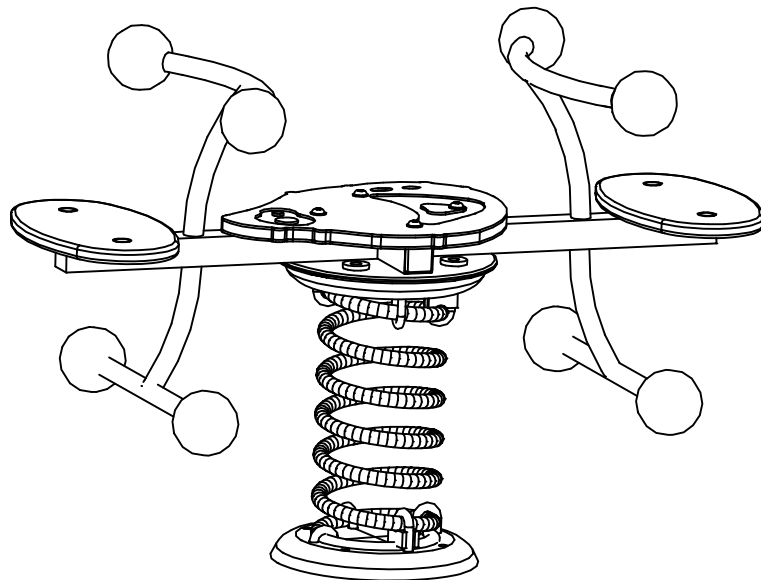
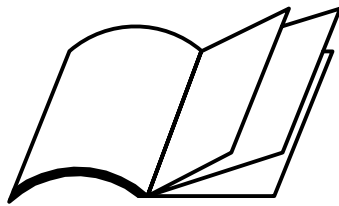


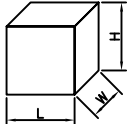
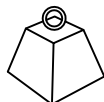

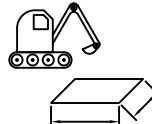
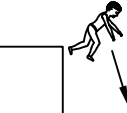

HAGS

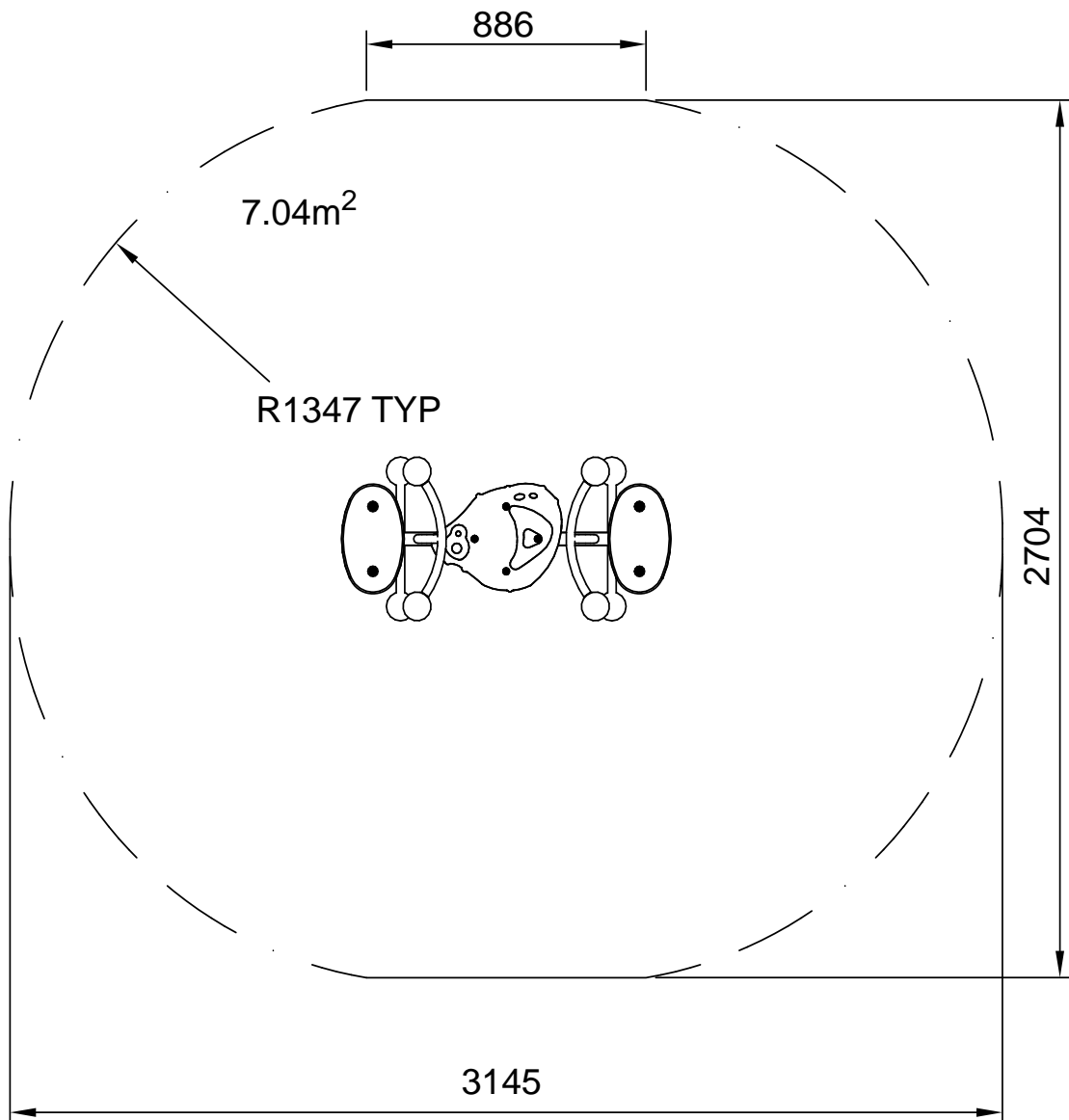
ZINGO ROKO

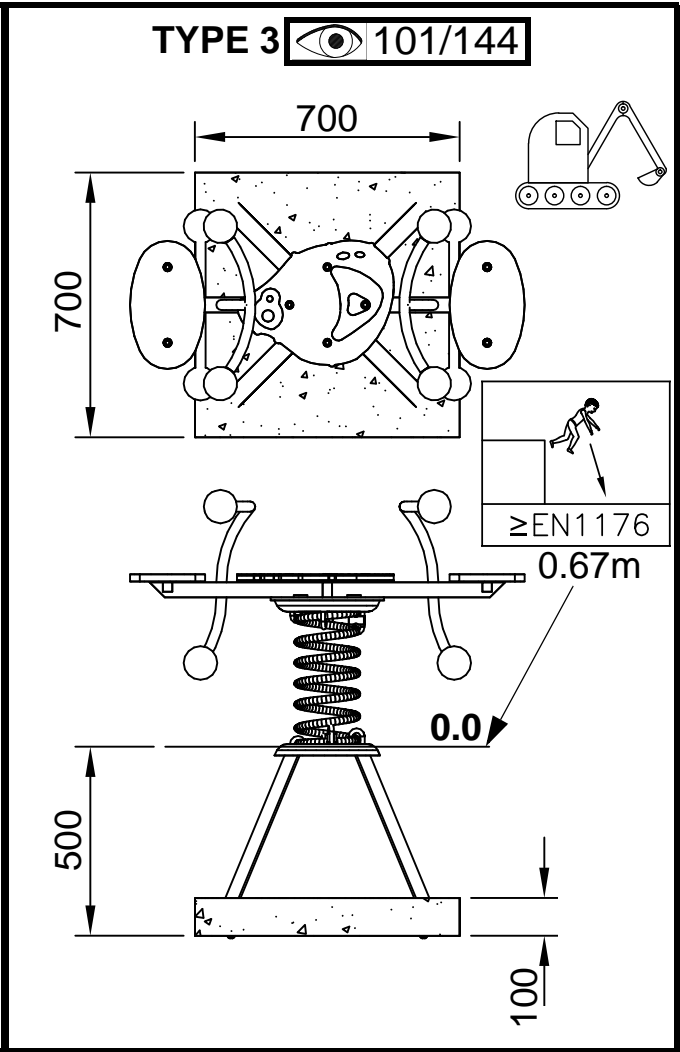
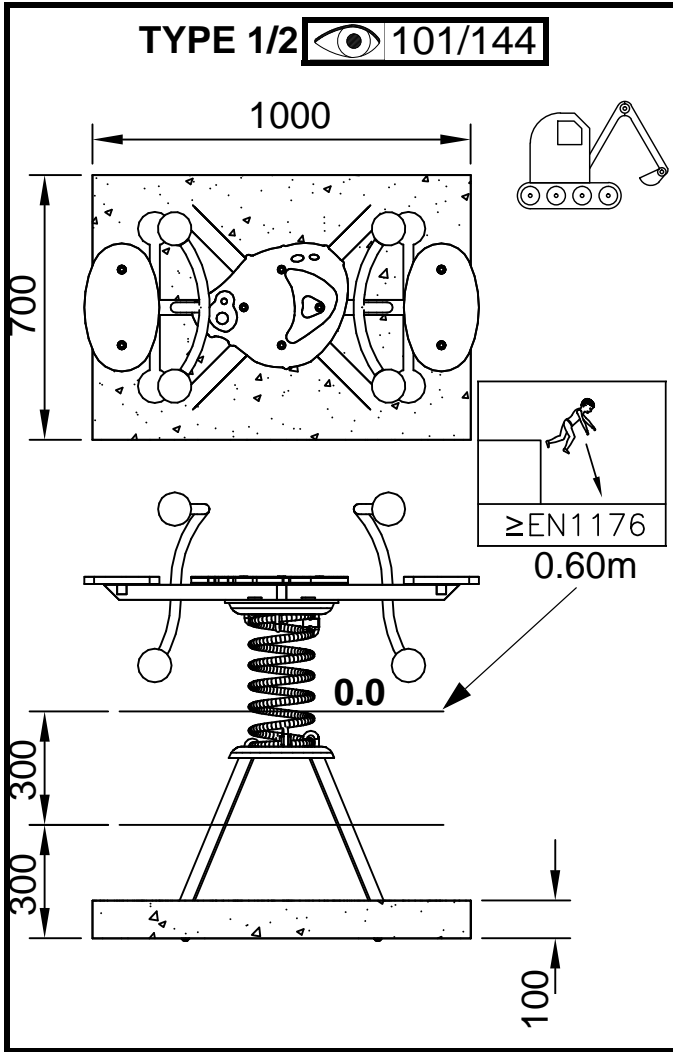
X-ROK & X-ROKD

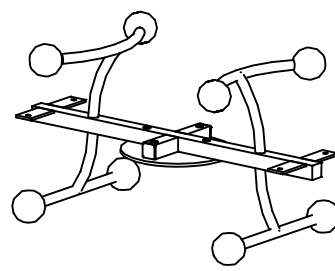
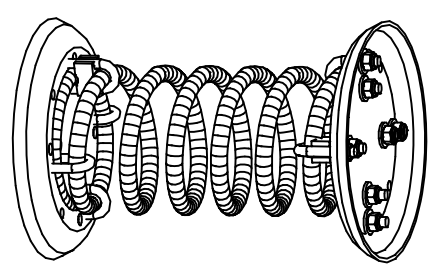
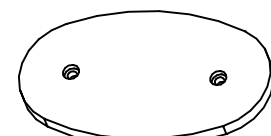


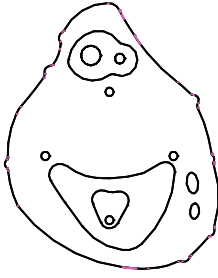
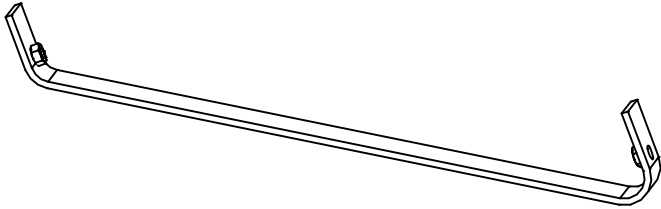
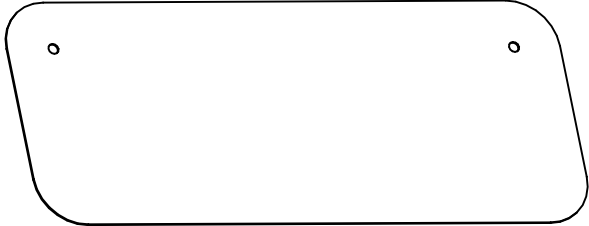
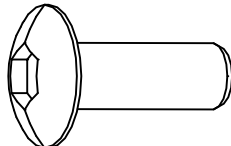
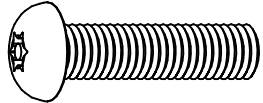
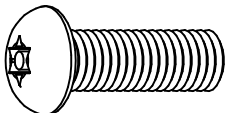
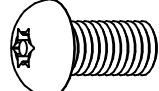
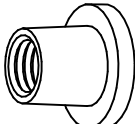
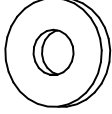


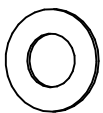
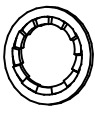
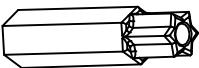
	 LxWxH (m)	 kg	 m ³	 m	 ≥EN1176	 x 2 = T
TYPE 1 / 2	1.04 x 0.45 x 0.67	68.0	0.07	4.00 x 3.00	0.60m	T = 2h
TYPE 3	1.04 x 0.45 x 0.57		0.05		0.67m	



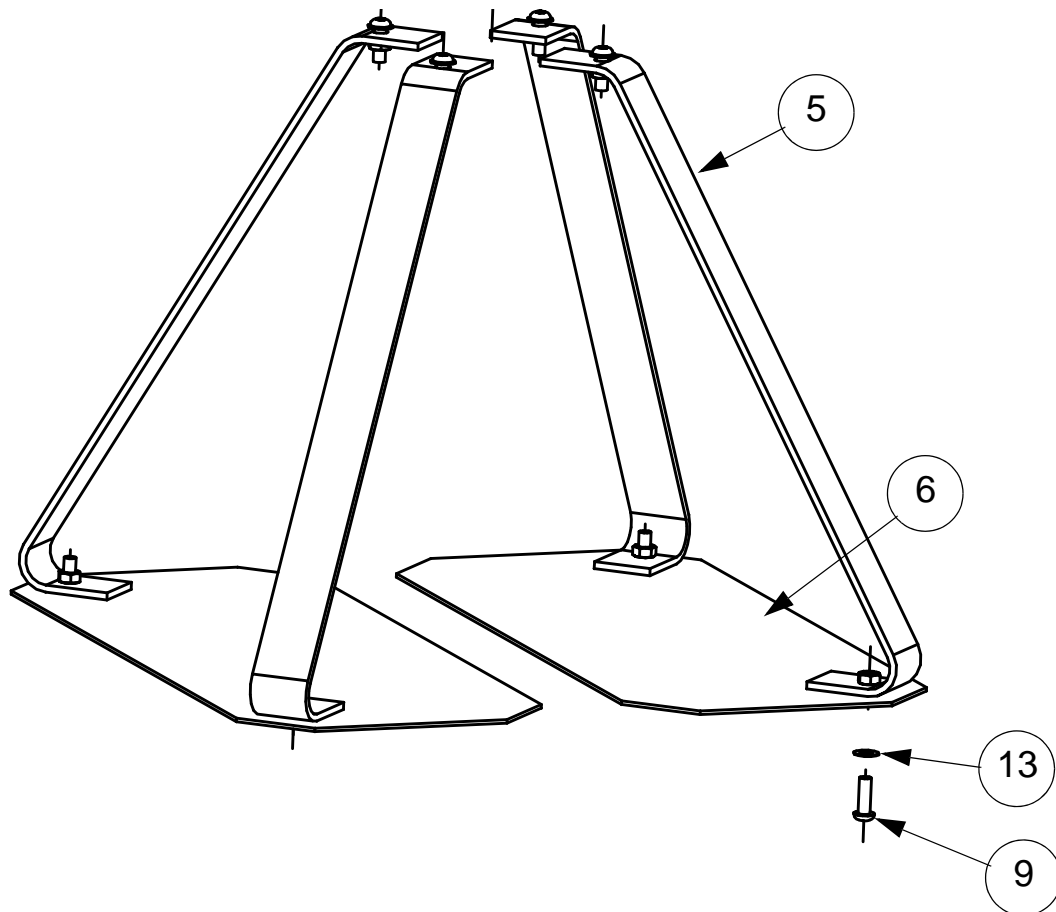


ITEM	REF		QTY.	kg.
1	56020010		1	18
2	56029999		1	23
3	56020020		2	2

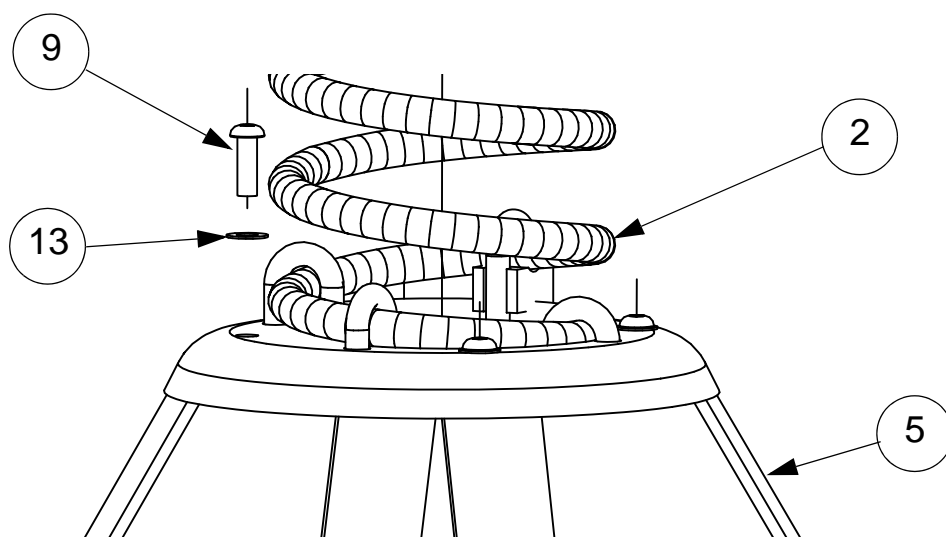
ITEM	REF		QTY.	kg.
4	56020030		1	2.5
5	86009002		4	2.5
6	86009001		2	2.5
7	88020902		4	0.054
8	10121040	 M10 X 40	4	0.037
9	10121030	 M10 X 30	12	0.028
10	10121020	 M10 X 20	4	0.020
11	10931000	 M10	4	0.020
12	10291400	 M14 15X36X6	8	0.033

ITEM	REF		QTY.	kg.
13	10291000	 M10 11X21X1	16	0.002
14	10301200	 M12 13X20X1	4	0.002
15	10121000	 T45 M10	1	-

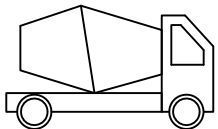


STEP 1



STEP 2



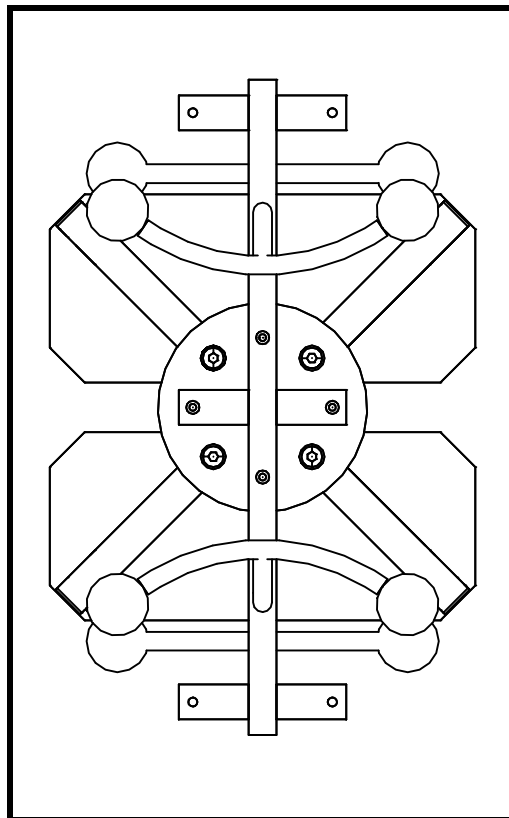
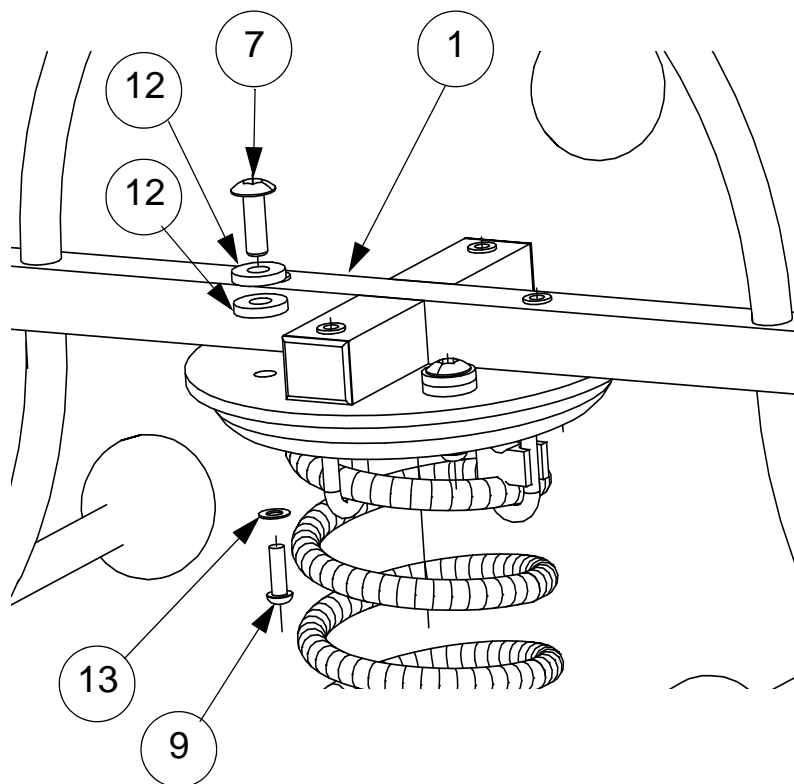
STEP 3

	
S2 (50mm)	
≥C20-25	
	7 x 24h
	101

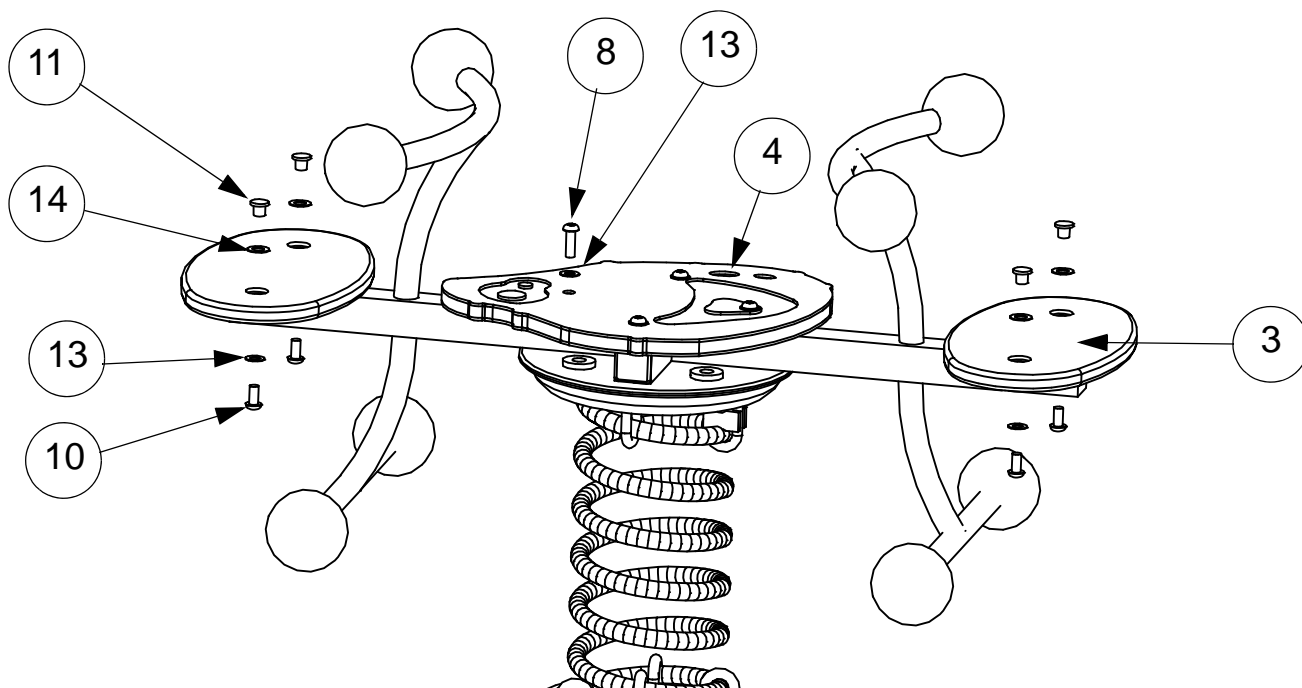


4

STEP 4

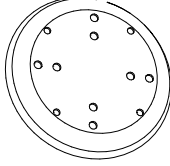
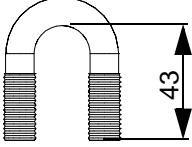

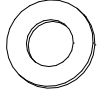
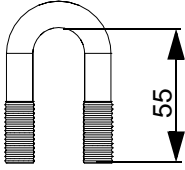
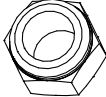
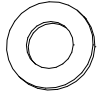
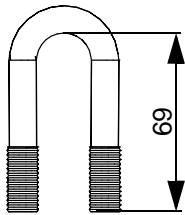
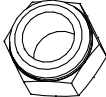
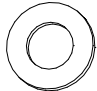
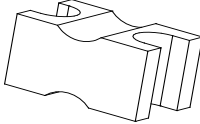
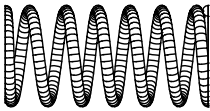


STEP 5

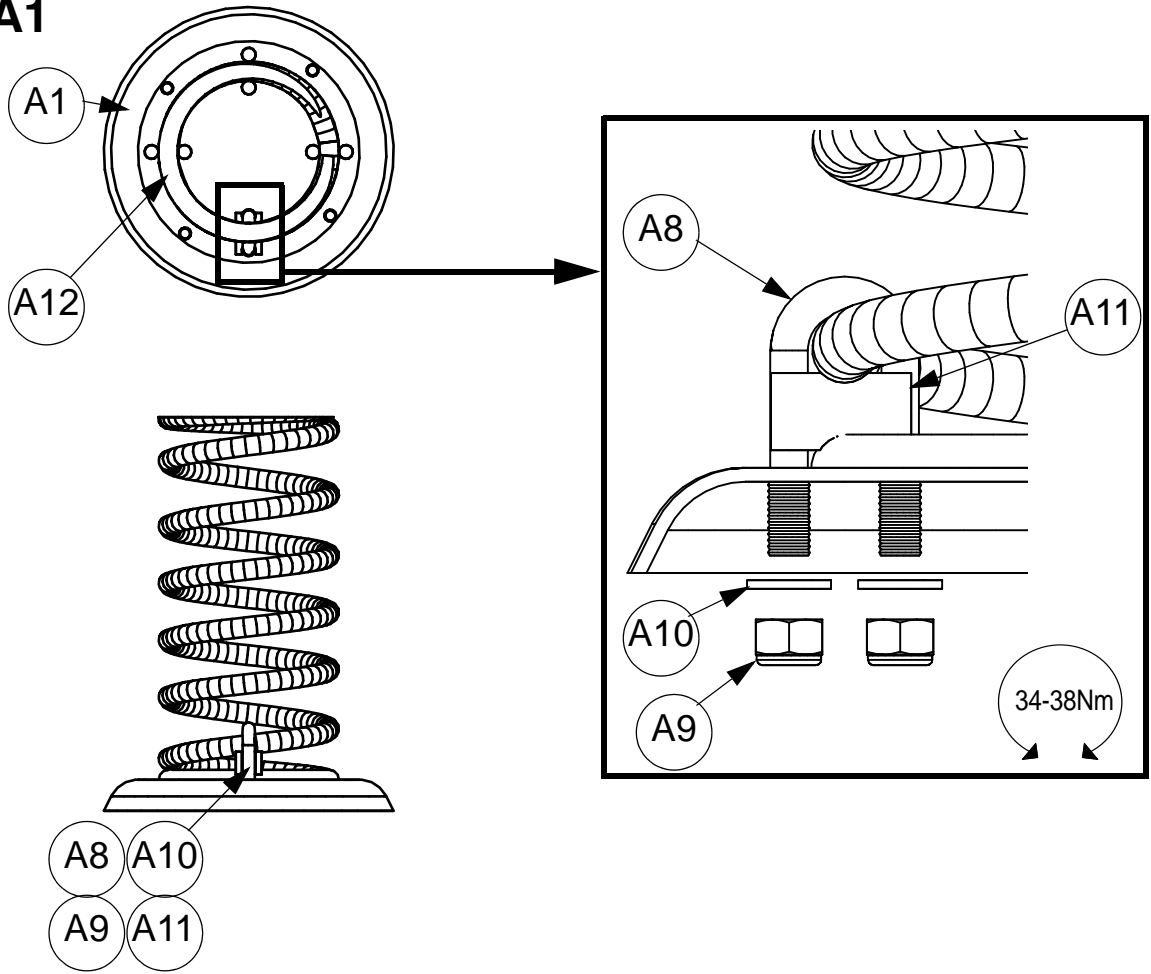


Appendix A:

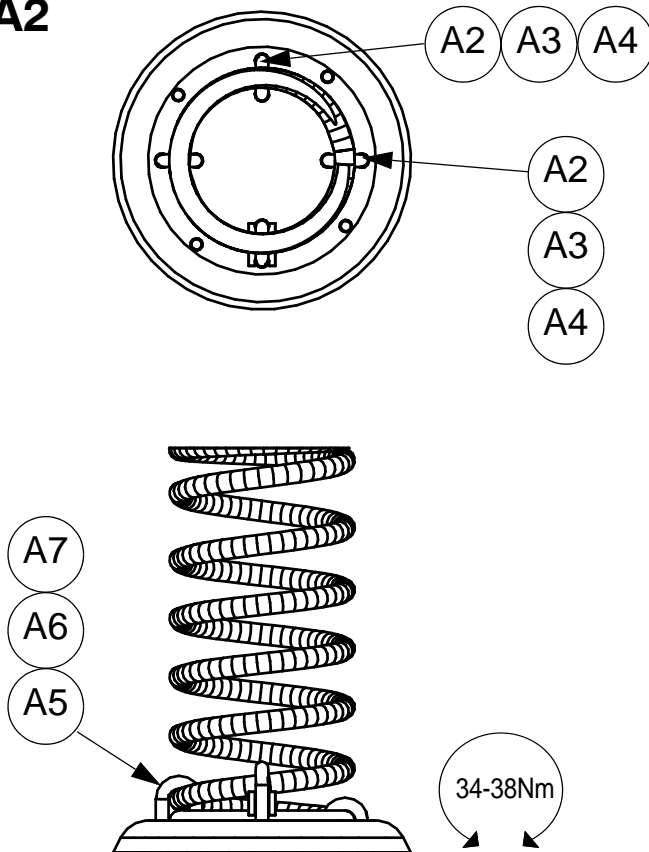
REF 56029999

ITEM	REF		QTY.	WEIGHT Kg.
A1	86009003		2	2.500
A2	86009006A		4	0.080
A3			8	0.010
A4			8	0.003
A5	86009006B		2	0.100
A6			4	0.010
A7			4	0.003
A8	86009006C		2	0.120
A9			4	0.010
A10			4	0.003
A11	86009007		2	0.001
A12	86009005		1	8.000

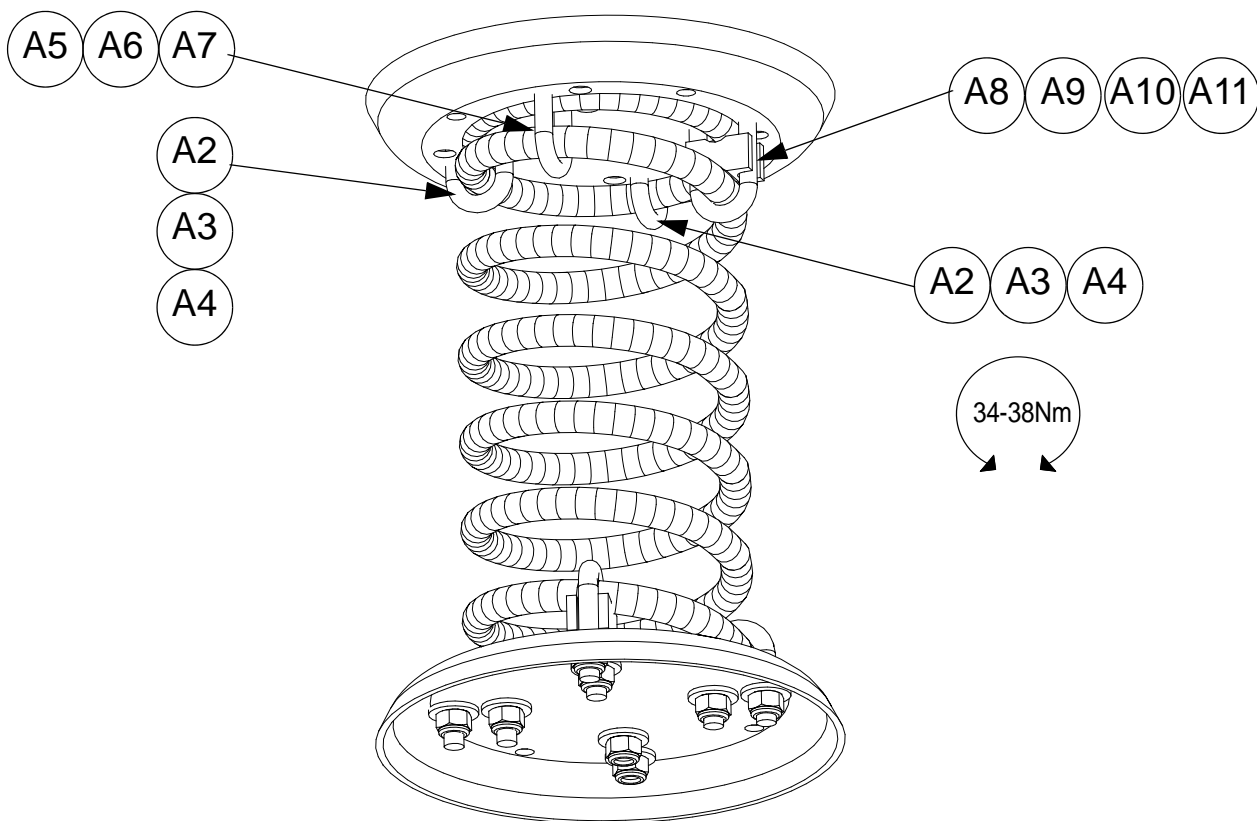
STEP A1

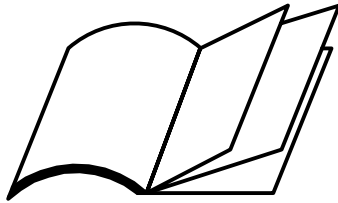


STEP A2

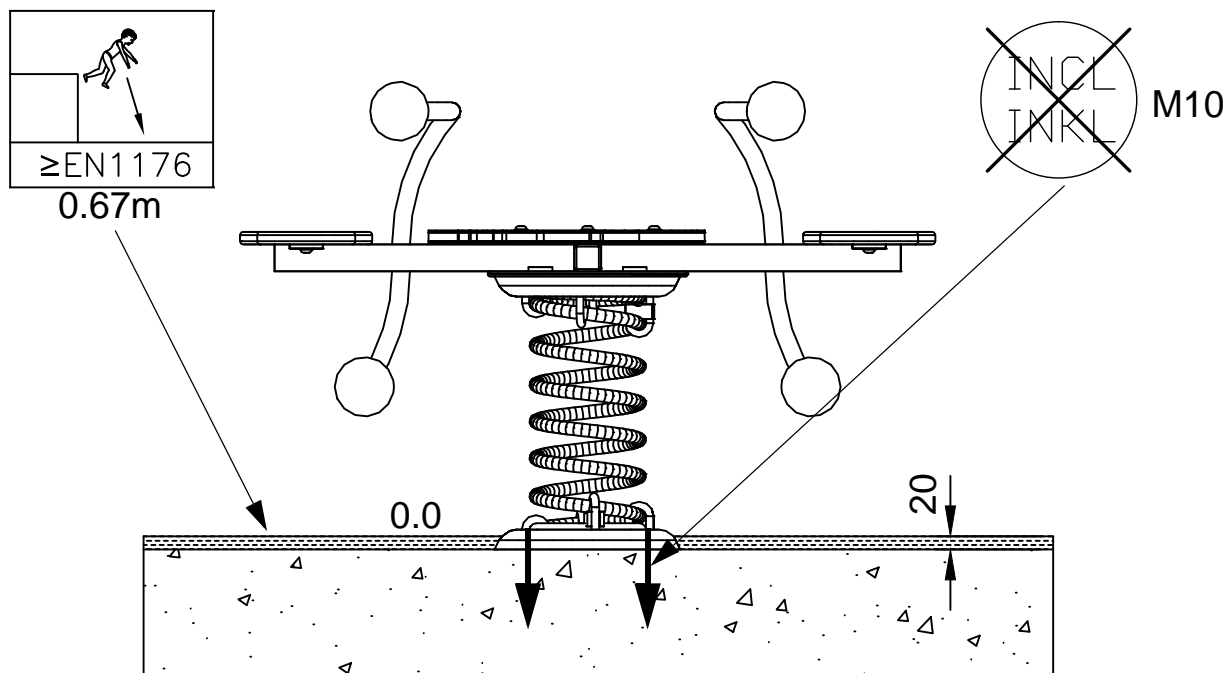


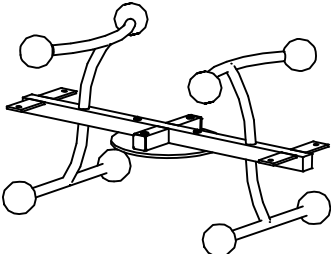
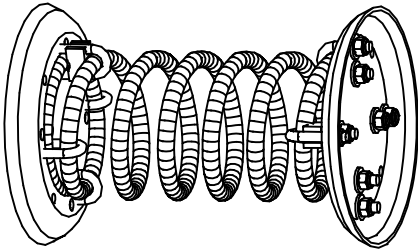
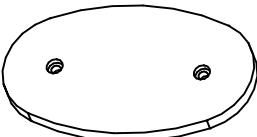
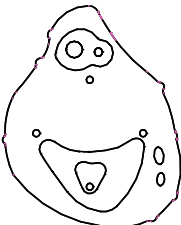
STEP A3

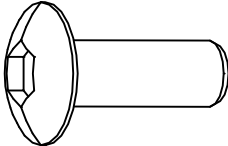
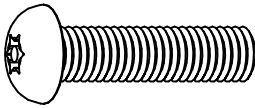
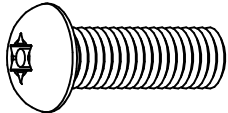
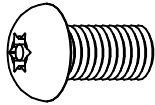
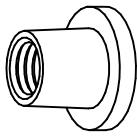
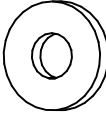
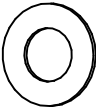
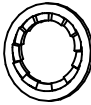




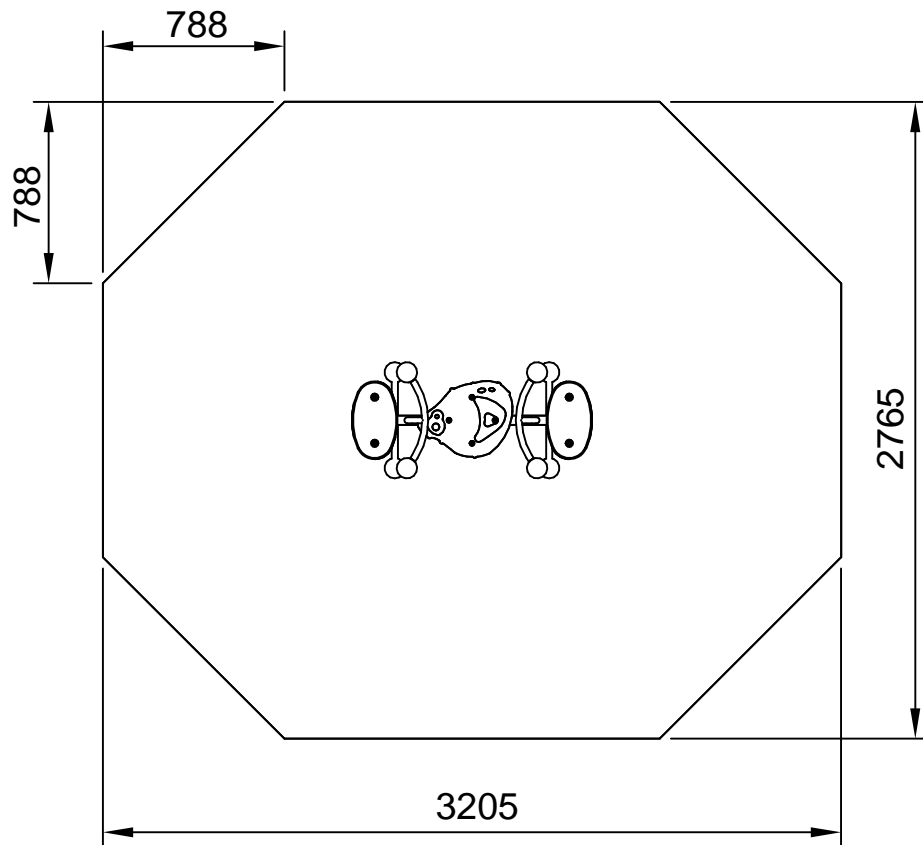
Appendix B: X-ROKD



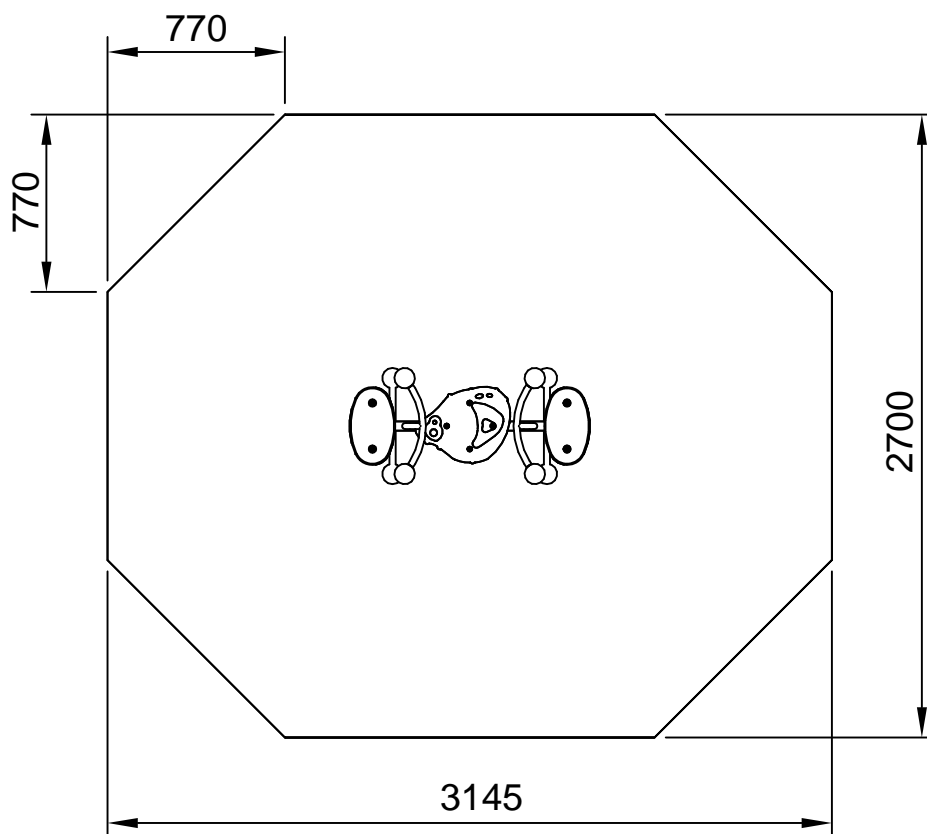
ITEM	REF		QTY.	kg.
1	56020010		1	18
2	56029999		1	23
3	56020020		2	2
4	56020030		1	2.5

ITEM	REF		QTY.	kg.
7	88020902		4	0.054
8	10121040	 M10 X 40	4	0.037
9	10121030	 M10 X 30	4	0.028
10	10121020	 M10 X 20	4	0.020
11	10931000	 M10	4	0.020
12	10291400	 M14 15X36X6	8	0.033
13	10291000	 M10 11X21X1	12	0.002
14	10301200	 M12 13X20X1	4	0.002

Appendix C:



TYPE 1/2 LOOSE FILL AREA



TYPE 3 WET POUR AREA

